

Features

- Stylish New Design Improves Upon Conventional "Box" Speaker
- Rated Input : 3W, 10W
- Speaker Driver Unit : 6.5"
- Frequency Response : 150Hz – 17kHz
- Durable Ivory Finish
- Impact-Resistant Plastic Construction



Description

The KWS-03 and 10 are a versatile wall speaker that is an ideal choice for the office environment. The speaker employs an coaxial type unit and incorporates a stylish new speaker design that improves upon the conventional "box" speaker. Power handling is rated at 3W (KWS-03), and 10W (KWS-10). The speaker features a steel mesh speaker cover in a durable ivory finish. The speaker is constructed from impact-resistant plastic for extra durability.

Technical Specifications

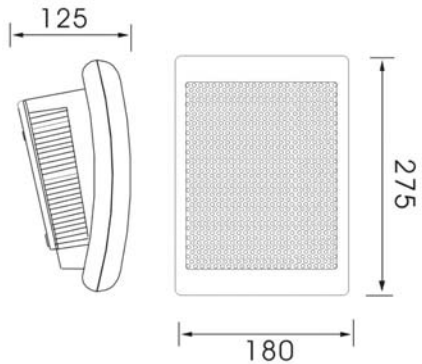
Spec	Model	UNIT	KWS-03	KWS-10
Rated Power		W	3/100V	10/100V
Impedance		Ω	3.3k/6.6k	1k/2k
Frequency Response(-10dB)		Hz	150~17k	150~17k
SPL(1W/M)		dB	92	92
Enclosure Material	HIPS (Ivory)			
Front Material	Punching Steel Grill			
Weight		kg	1.15	1.15
		lb	2.5	2.5
Dimensions (W x H x D)		mm	180 X 275 x 125	
		inches	7X 10.8X4.9	

KWS-03/10 Architects and Engineers Specifications

The KWS-03 and 10 are a versatile wall speaker that is an ideal choice for the office environment. The speaker employs an coaxial type unit and incorporates a stylish new speaker design that improves upon the conventional "box" speaker. Power handling is rated at 3W (KWS-03), and 10W (KWS-10). The speaker features a steel mesh speaker cover in a durable ivory finish.

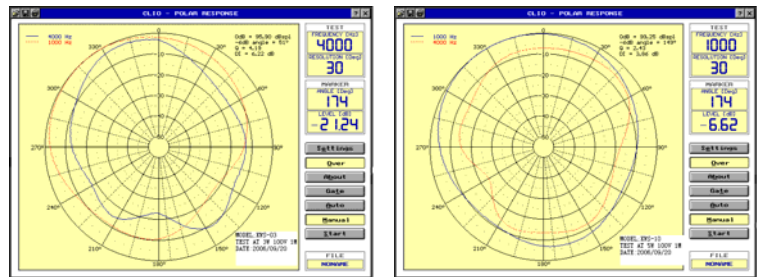
The wall speaker frequency response shall be from 150Hz to 17kHz. The speaker shall measure 180mm (7.1") wide x 275mm (10.8") high, and 125mm (5") deep.

Mounting Method

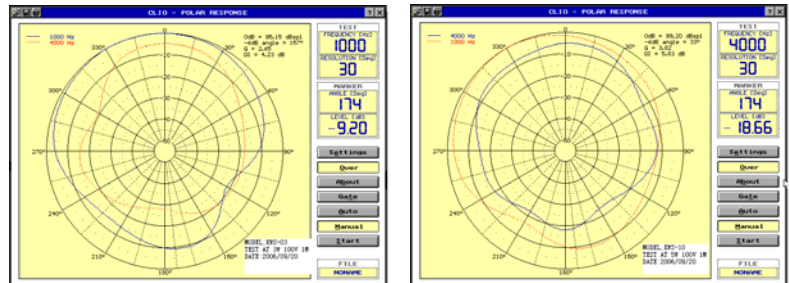


Dual Channel Analyzer Graphics

Horizontal



Vertical



Frequency Response Graphics

