

PAM-240A/360A



PUBLIC ADDRESS AMPLIFIER



FEATURES

- High power P.A amplifier without output trans
- Amp with various option
- Adjustable input volume for each channels
- All speaker selecting switch
- Priority : Channel 1, 2/ chime/ Tel In
- Signal shot chime
- Link with the RM-05A remote microphone

SPECIFICATIONS

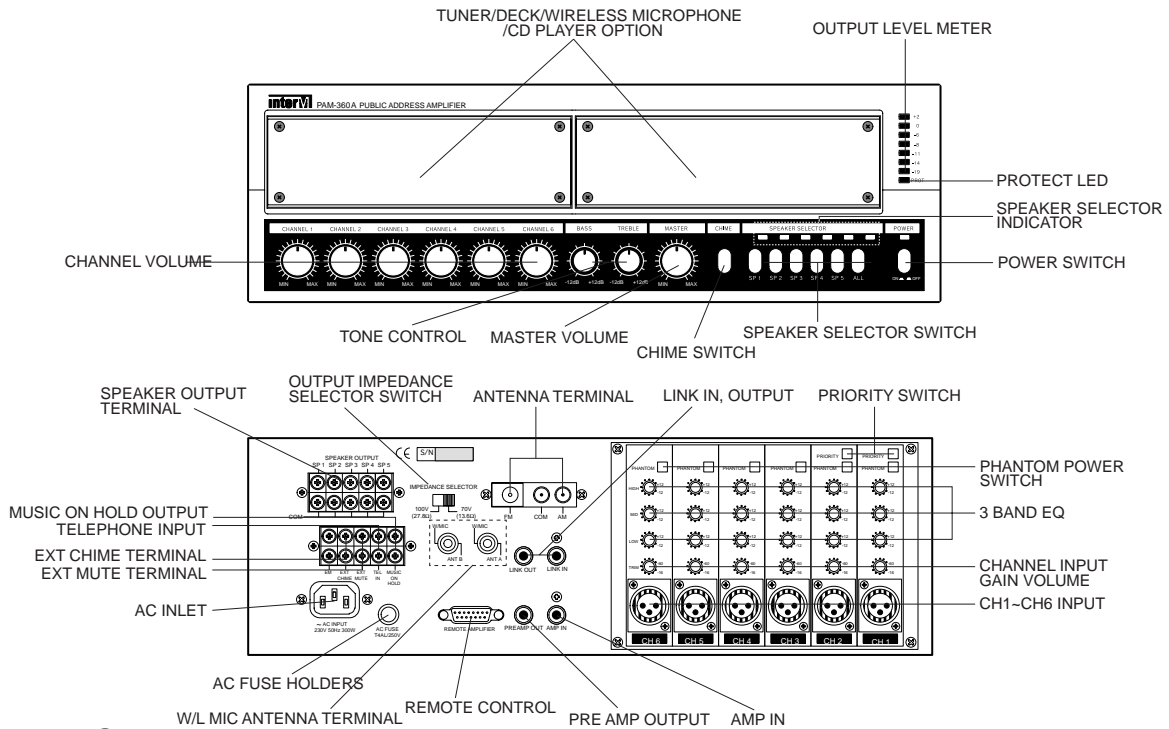
■ ELECTRICAL

- Rated power.....PAM-240A: 240W(RMS)
PAM-360A: 360W(RMS)
- Characteristics of frequency80Hz~20kHz
- Signal to noise ratio (S/N).....More than 95dB
- Tone Control(100Hz, 10kHz)±12dB
- EQ Control(100Hz, 1kHz, 10kHz).....±12dB
- Input sensitivity/impedance
CH1~CH61mV~160mV/10k
LINK IN100mV~10k
TELEPHONE IN0.775V/600
AMP IN.....1V/20k
REMOTE IN.....1.2V/600
- Speaker output/impedance
240W: 20.4 (70V), 41.4 (100V)
360W: 13.6 (70V), 27.8 (100V)
- Preamp Out/Impedance.....1V/600
- Music On Hold/Impedance.....0.775V/600
- Link Out/Impedance500mV/600

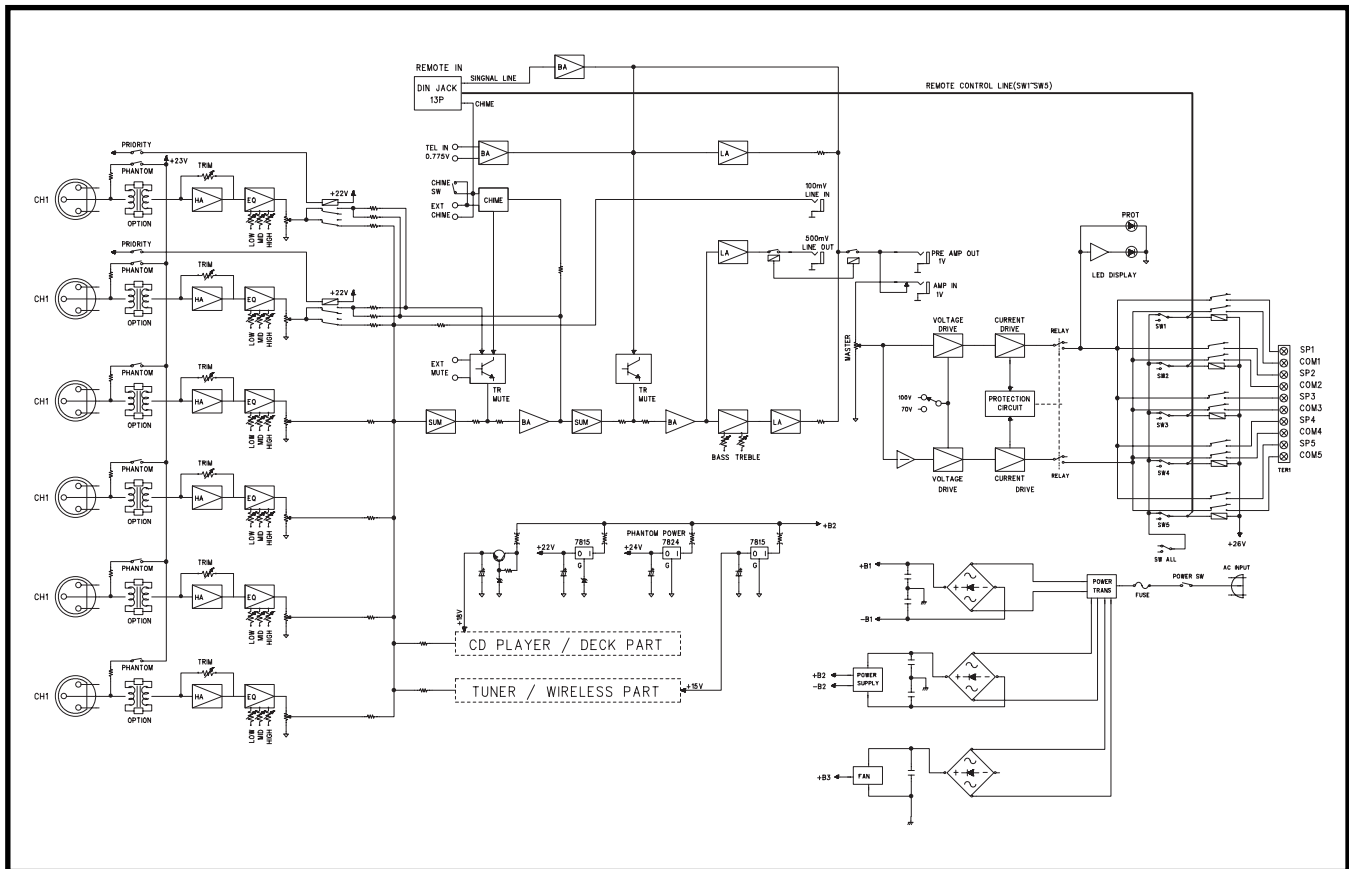
■ GENERAL

- Power Source100-120VAC or 220-240VAC; 50/60Hz, DC 24V
(Supplied AC mains transformer depends on country requirements)
- Power Consumption.....PAM-240A: 240W
PAM-360A: 300W
- Weight22kg/48.5lb
- Dimensions420(W) x 132(H) x 360(D)mm
16.5(W) x 5.2(H) x 14.2(D)in

PAM-240A/360A



BLOCK DIAGRAM



interM

OFFICE : 653-5 BANGHAK-DONG, DOBONG-KU, SEOUL, KOREA TEL : 82-2-2289-8140~8, FAX : 82-2-2289-8149

Home page : <http://www.inter-m.com>

E-mail : export@inter-m.com

9027103310