

PA-2000/4000



PUBLIC ADDRESS AMPLIFIER



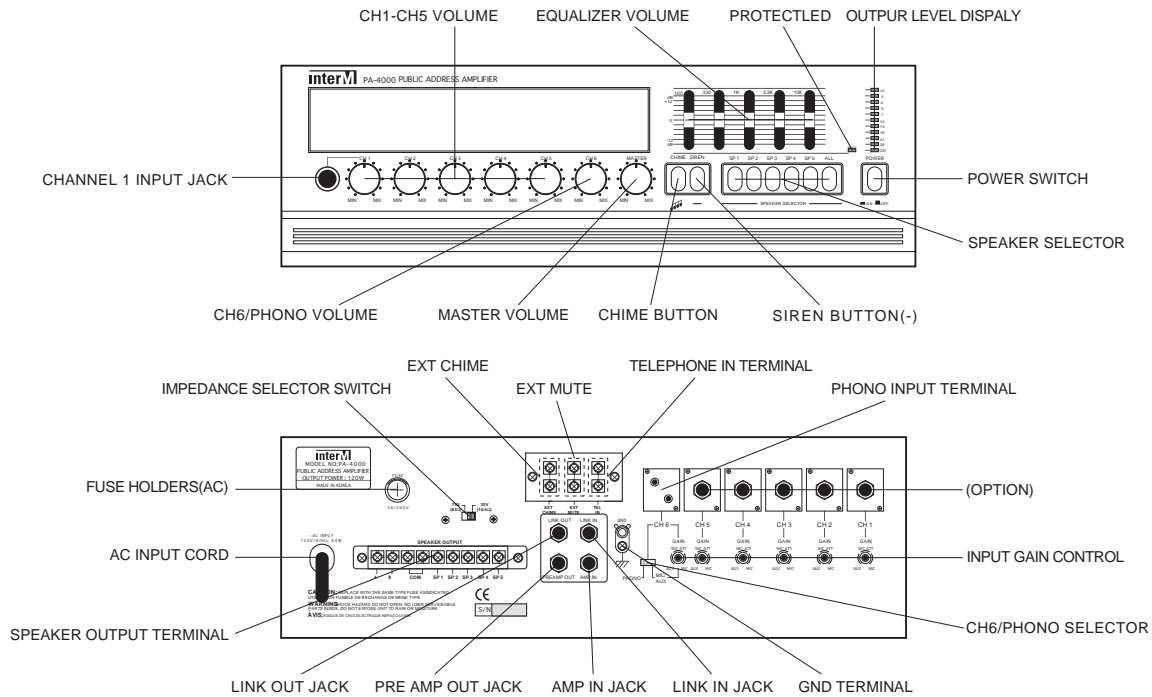
FEATURES

- **INPUT GAIN CONTROLS**
This system controls input gain in rear panel input gain volume per CH, you can use conveniently.
- **5 BAND EQUALIZER**
This system is provided the 5 bands equalizer. You can control the tone each frequency by using them.
- **SPEAKER SELECT**
6 speaker selector switches are provided to enable you to select 5 speakers individually or totally.
- **TUNER MEMORY(PA-2000, 4000R ONLY)**
The total 16 memory address in system can memorize the frequency of broadcasting station. You can use the desirable frequency conveniently.
- **TELEPHONE INPUT/MUSIC-ON HOLD**
To connect with the telephone system, the function of Telephone input and Music-on Hold are provided. (Music-on Hold is only for PA-2000R, 4000R)

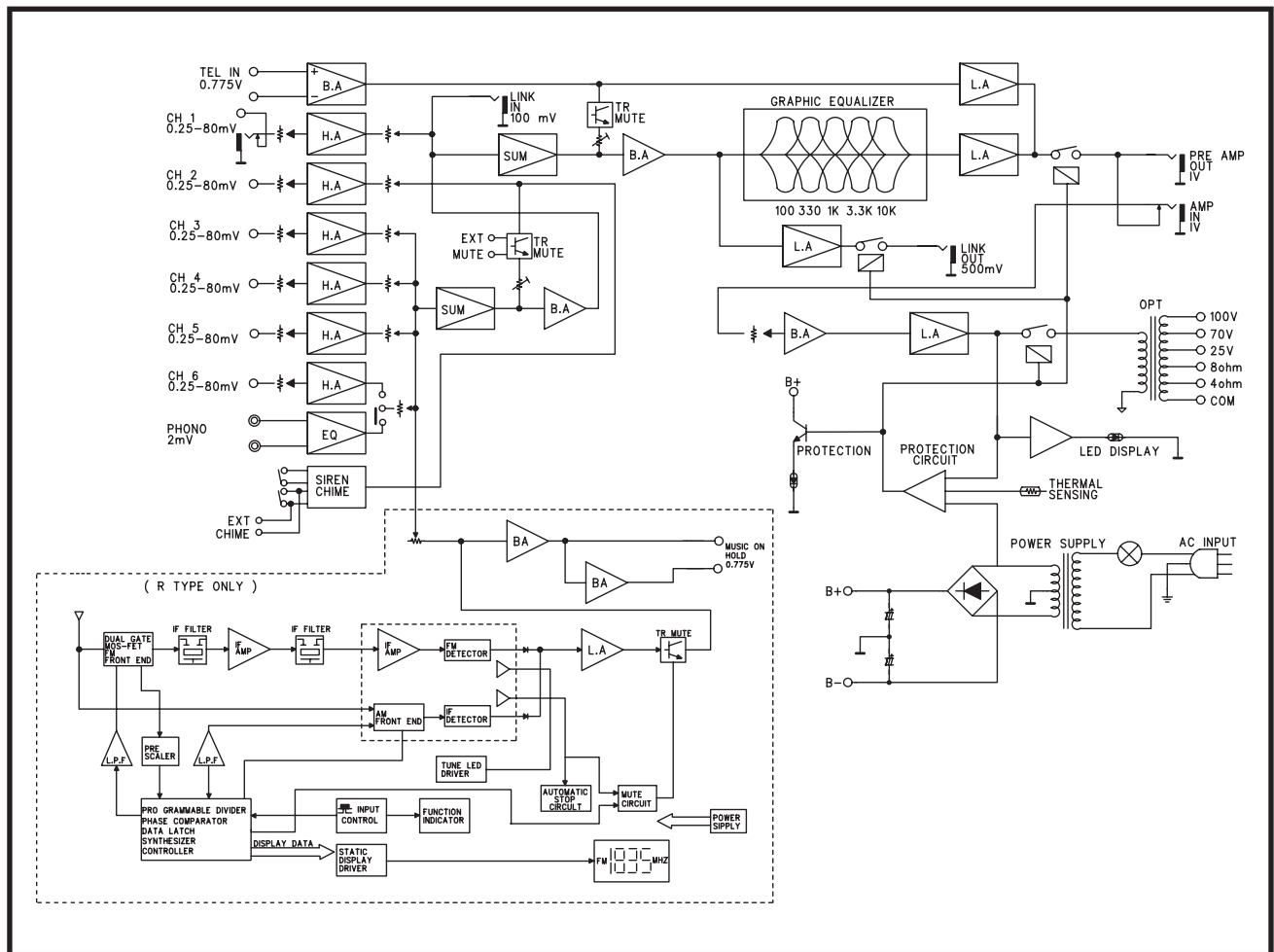
SPECIFICATIONS

- **ELECTRICAL** *0dB=0.775Vrms
 - Rated OutputPA-2000(R):60W(RMS)
PA-4000(R):120W(RMS)
 - Input Sensitivity/Impedance
 - CH1-CH60.25mV~80mV/600Ω
 - Phone2mV/22kΩ
 - Link In100mV/15kΩ
 - Telephone In0.775V/600Ω
 - Amp In1V/47kΩ
 - Frequency Response60Hz~20kHz
 - T.H.D(at 1kHz Rated Output)Less Than 0.5%
 - Graphic Equalizer±12dB
(100Hz, 330Hz, 1kHz, 3.3kHz, 10kHz)
 - Speaker Output/Impedance
 -60W:4Ω, 8Ω, 83Ω(70V), 165Ω(100V)
 - 120W:4Ω, 8Ω, 42Ω(70V), 83Ω(100V)
 - Line Out/Impedance1V/600Ω
 - Music-On Hold/Impedance(R Type Only)0.775V/600Ω
 - Link Out/Impedance500mV/600Ω
- **GENERAL**
 - Power SourceAC 110V-240V, 50/60Hz
 - Power ConsumptionPA-2000(R):130W
PA-4000(R):230W
 - WeightPA-2000:10kg
PA-4000:12kg
 - DimensionsPA-2000:420(W) × 100(H) × 320(D)mm
PA-4000:420(W) × 133(H) × 320(D)mm

PA-2000/4000



BLOCK DIAGRAM



interM

OFFICE : 653-5 BANGHAK-DONG, DOBONG-KU, SEOUL, KOREA TEL : 82-2-2289-8140-8, FAX : 82-2-2289-8149
 Home page : <http://www.inter-m.com> E-mail : export@inter-m.com

9047918210 B