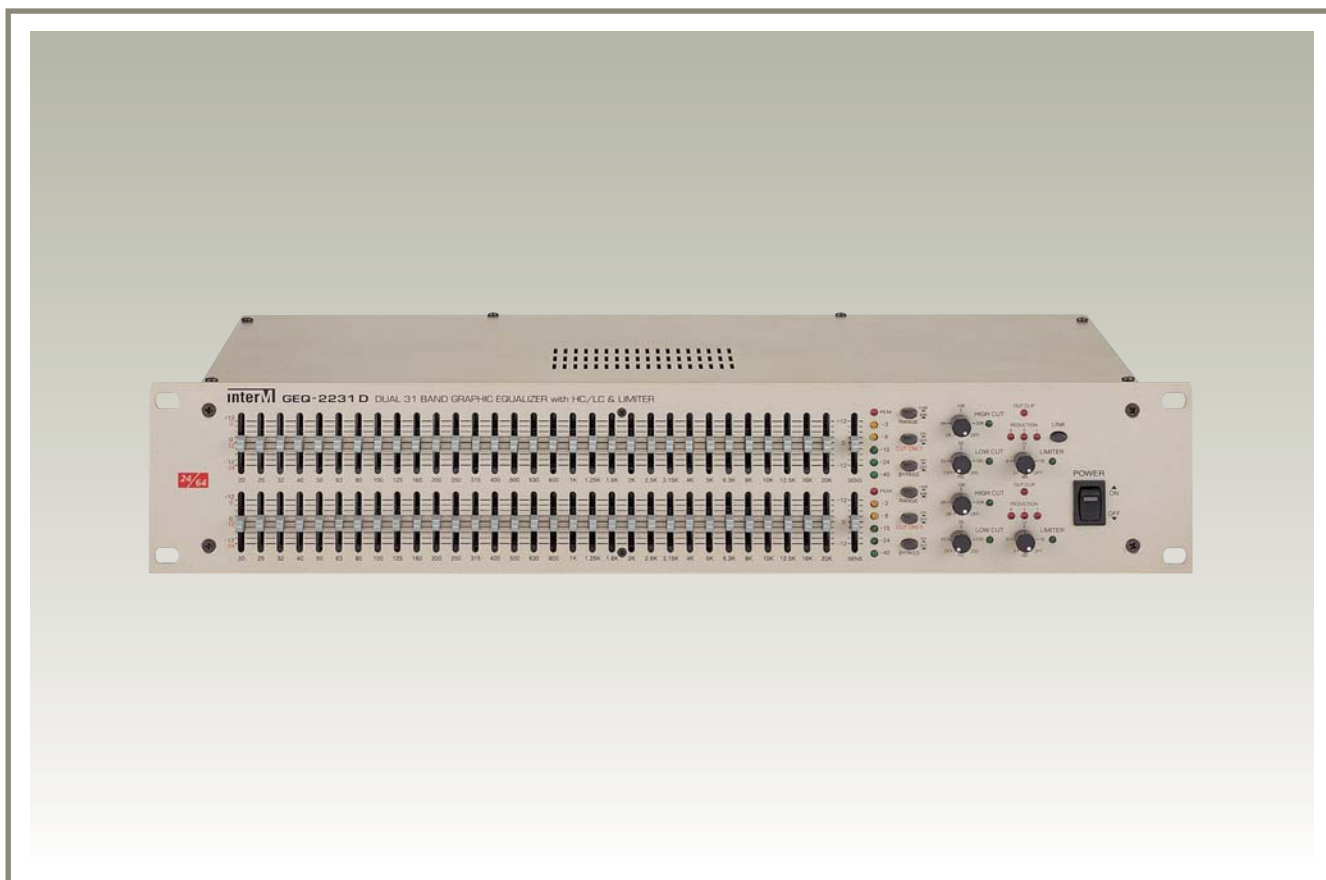


GEQ-2231D



DUAL 31-BAND GRAPHIC EQUALIZER with LC/HC & LIMITER



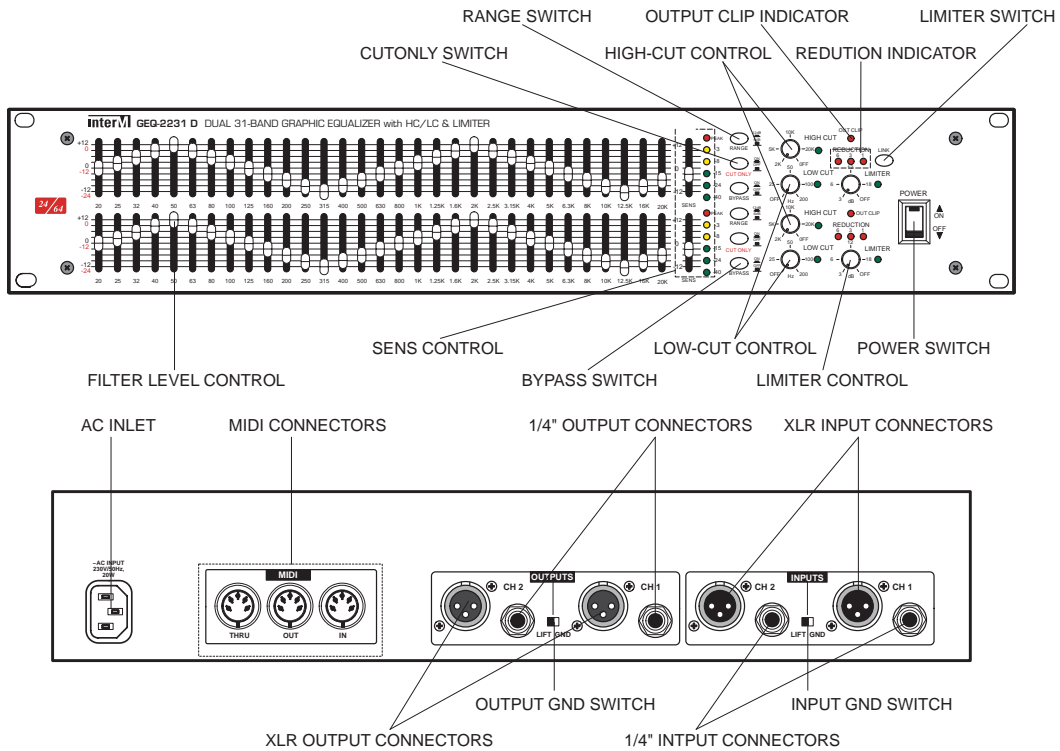
FEATURES

- Traditional Analog Feeling and Sound with State-of-the-Art Digital Signal Processing
- XLR & 1/4" TRS Electronic Balanced Inputs and Outputs
- Dual-Channel 31-Band Graphic Equalizer, 2HE Size
- Constant-Q 1/3- Octave Low-Noise Digital Filter Bank
- 5-LED Input Signal Level Display with Peak Indicator
- Selectable GEQ Range: ± 12 dB, ± 6 dB and -24 dB (Cut Only)
- High-Cut Filter for Rumble Suppressing
- Low-Cut Filter for Hiss Reduction
- Reliable Peak Limiter with Threshold and 3-LED Gain Reduction Meter
- Soft-Clip Function
- Output Clip indicator
- Limiter Channel Link for True Stereo Mode
- ON Indicators for Low-Cut, High-Cut, and Limiter
- Extended Frequency Response (Up to 30.5kHz)
- Hard Bypass Relays
- High-Resolution Processing Engine: 24-Bit AD/DA Converters, 64 kHz Sampling Frequency, 40-Bit Internal Signal Path
- Remote Control via MIDI (Optionally)

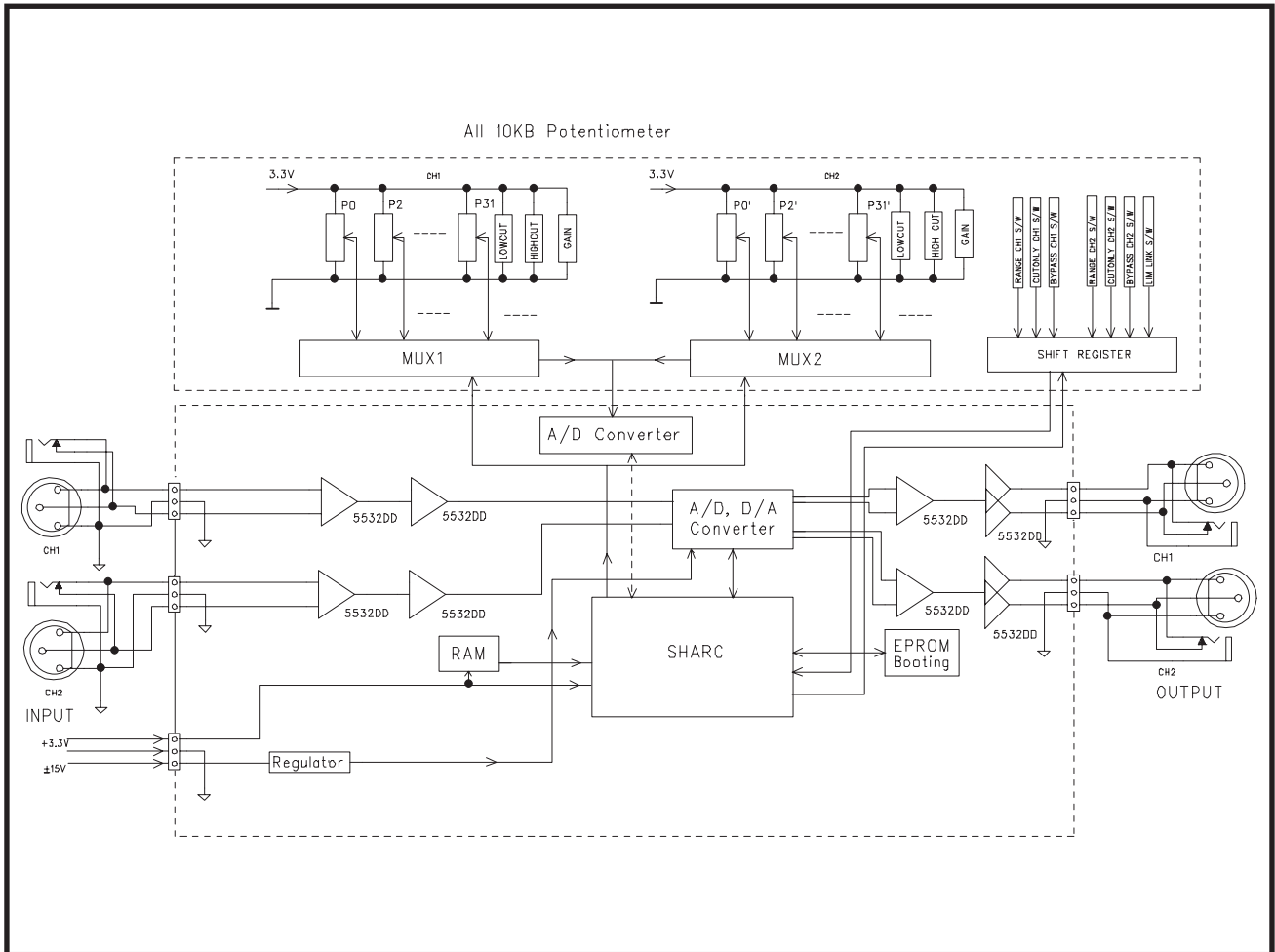
SPECIFICATIONS

- **ELECTRICAL**
 - Analog Input
 - XLR & 1/4" TRS, Electronically Balanced, RF Filtered
 - Impedance>10k Ω
 - Maximal Input Level22 dBu
 - Analog Output
 - XLR & 1/4" TRS, Electronically Balanced, RF Filtered
 - Impedance.....< 100 Ω
 - Maximum Output Level @ > 600 Ω 22 dBu
 - Graphic Equalizer
 - 31-Band 1/3-Octave Constant-Q Filter
 - Selectable Boost/Cut Range..... ± 12 dB, ± 6 dB, 0/-24dB(cut only)
 - Input Gain Control..... ± 12 dB
 - 6-LED Input Level Meter.....-36dBu ~ +12dBu, CLIP(> +18dBu)
 - Cut Filters
 - Low-Cut Frequency Range15Hz - 200Hz
 - High-Cut Frequency Range2kHz - 25kHz
 - Slope.....12 dB/octave Butterworth
 - Peak-Limiter
 - Type.....Maximizer with Soft Clip
 - Threshold.....0 to -18 dBFs
 - 3-LED Gain Reduction Meter.....1, 3, 5 dB
 - Output Clip Indicator.....> +20 dBu
 - Channel Linkon / off
 - System Performance
 - Frequency Response (-0.5 dB)10Hz - 30.5kHz
 - Dynamic Range> 94dB
 - THD+N.....< 0.006 %
- **GENERAL**
 - Power SourceAC 100V-240V 50/60Hz
 - Power Consumption.....20W
 - Weight5kg
 - Dimensions.....482(W) \times 88(H) \times 280(D)mm

GEQ-2231D



BLOCK DIAGRAM



interM

OFFICE : 653-5 BANGHAK-DONG, DOBONG-KU, SEOUL, KOREA TEL : 82-2-2289-8140~8, FAX : 82-2-2289-8149
 Home page : <http://www.inter-m.com> E-mail : export@inter-m.com

9047934010