

COLUMN SPEAKER(OUTDOOR USE)



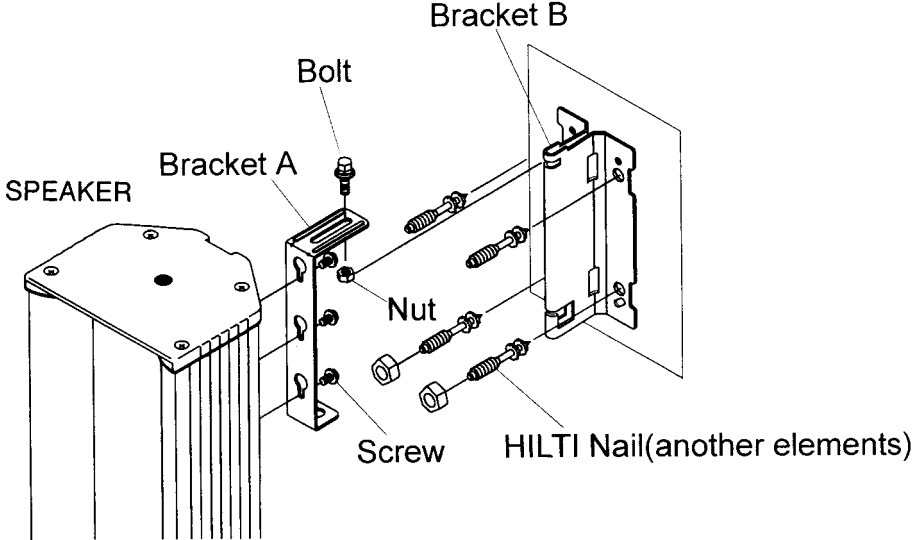
FEATURES

- **OUTDOOR USE**
These column speakers are designed for outdoor use.
- **LONG LIFE**
You can use these long time, why these are designed with aluminum alloy and painted for anti-rust.
- **HIGH EFFICIENCY FOR P.A.**
Full range speaker unit and matching transformer are incorporated for high efficiency of P.A.
- **EASY INSTALLATION**
With instrument, you can install it easily by using provided bracket.
- **2 WAY SYSTEM**
To assure absolute long-term reliability, these model are used by tweeter of high quality.

SPECIFICATION

- **ELECTRICAL** *0dB=0.775Vrms
 - Rated input40W
 - Impedance..... 250Ω/500Ω
 - Frequency response200Hz-22kHz
 - SPL(1W/1m)99dB
- **GENERAL**
 - Material of case.....Aluminum
 - Weight5.4kg
 - Dimensions149(W) ×640(H) ×124(D)mm

MOUNTING METHOD



DUAL CHANNEL ANALYZER GRAPHICS

