

CD-3500



5CD PLAYER



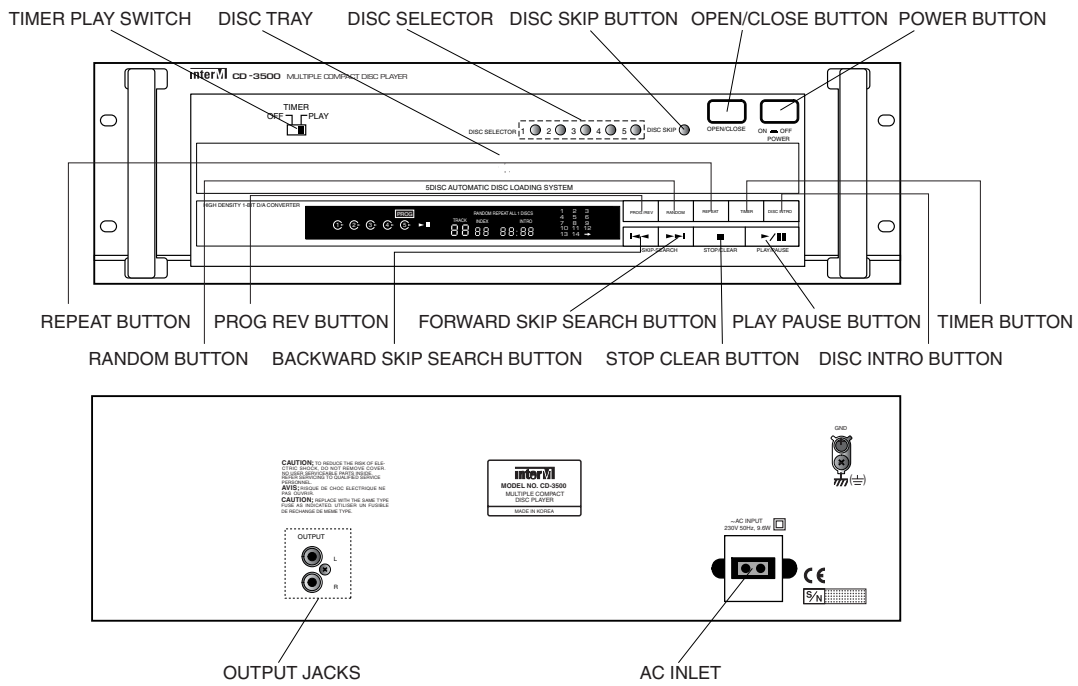
FEATURES

- 19" rack mountable.
- Front loading type of 5 CD disc changer.
- While 1 disc is playing, the remaining 4 discs can be changed.
- Using the laser of 3 beam type and 1 bit stream D/A converting system.
- Improvement on display function and performance (Variety for Bright indication function).
- Programming of all tracks on any disc is possible.
- Programmable random repeat play function for all discs.
- Rapid rewind and fast forward function during playing.

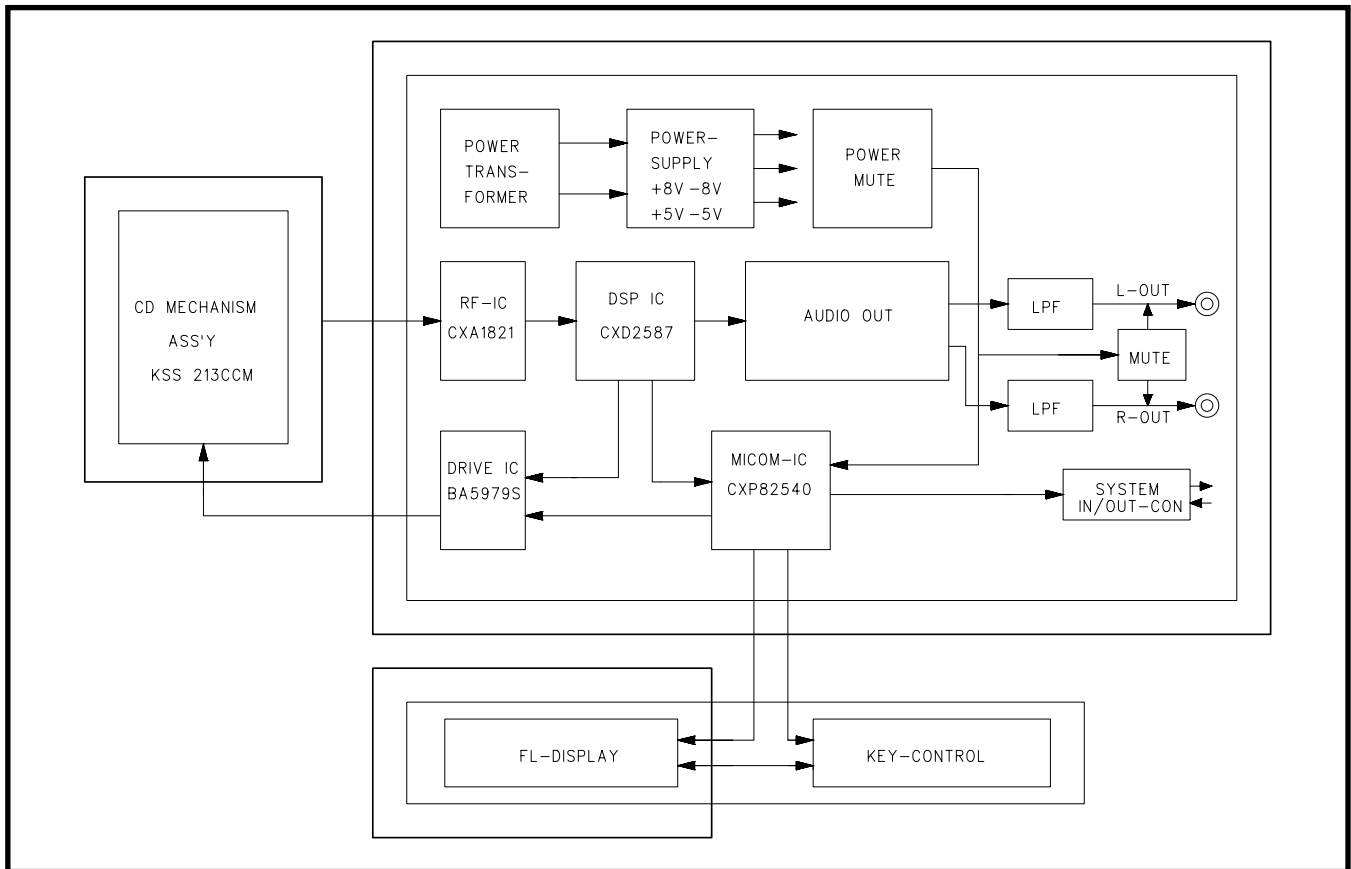
SPECIFICATIONS

- ELECTRICAL *0dB=0.775Vrms
 - Frequency Response.....20Hz~20kHz±0.5dB
 - Distortion (at 1kHz)< 0.004%
 - S/N Ratio> 96dB
 - No. of Channel.....2CH
 - Output LevelMax. 2Vrms
 - Laser Beam Pick-up3 beam A1GaAs Semiconductor
 - Error Mod. Method.....CIRC MOD. Method
 - D/A ConversionSingle Bit Conversion
 - MechanismFull Floating System
 - Digital Out
 - Coaxial (75Ω)0.5Vp-p
 - Optical (660 nm).....-21~-15dBm
- GENERAL
 - Power SourceAC 100V/120V/230V/240V, 50/60Hz
 - Power Consumption12W
 - Weight7.1kg/15.6lb
 - Dimensions.....482(W) x 132(H) x 389(D)mm
19(W) x 5.2(H) x 15.3(D)in

CD-3500



BLOCK DIAGRAM



interM

OFFICE : 653-5 BANGHAK-DONG, DOBONG-KU, SEOUL, KOREA TEL : 82-2-2289-8140~8, FAX : 82-2-2289-8149

Home page : <http://www.inter-m.com>

E-mail : export@inter-m.com

9027101610