

# LCD Lift

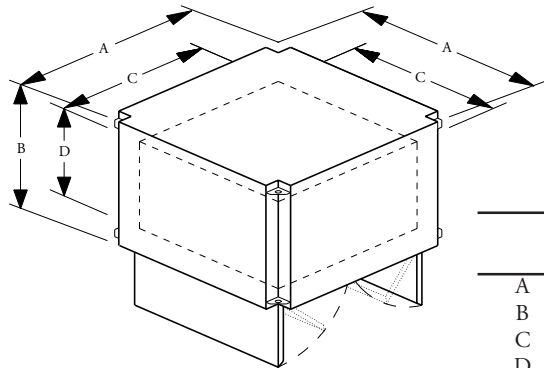
## Compact, lightweight lift fits most LCD/DLP projectors

Bomb bay doors and a slim cross-section distinguish the LCD LIFT. Most popular LCD/DLP/LCOS projectors fit comfortably inside this unit, which is available in two sizes—MODEL A and MODEL B.

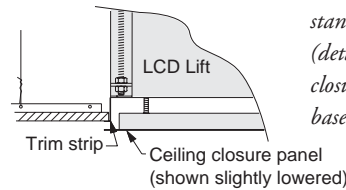
Housing of aluminum, with doors finished in white. Doors may also be field finished to match surrounding ceiling. Contains internal switched duplex receptacle, 115V AC, which is powered when the unit is fully open. The LCD LIFT contains an innovative current sensor that delays closing of the unit until the projector fan has shut off and the projector has cooled to a safe temperature. Lifting capacity 65 lbs.

### System Options

- **Universal (flat) ceiling closure**—Similar to that furnished for the SCISSOR LIFT. Detail drawing below.
- **Ceiling access door**—A hinged access door in the ceiling for whenever access to the lift from above the ceiling is not convenient.
- **Aero Low Profile Lift Bracket**—Convenient projector mount with projector-specific brackets available to fit any projector. Details on page 26.
- **Factory installed cables** for RGB, Video and Sync.
- **Control Options**—Standardly operated by one 115V rocker switch. For more options, refer to page 26.



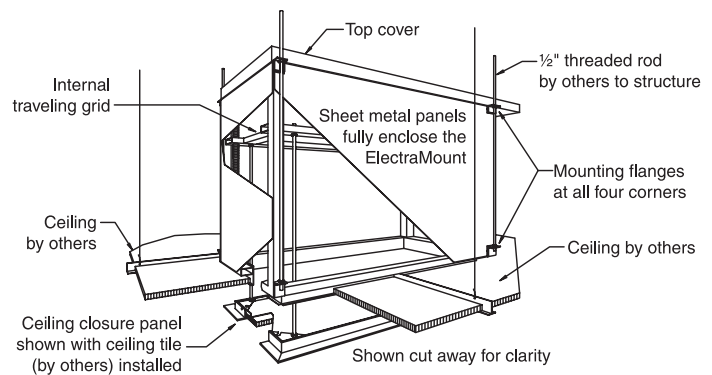
	Model A	Model B
A	23½"	28¾"
B	17½"	22½"
C	18"	23"
D	11"	16"
Travel	11½"	16½"



LCD Lift shown (above) with standard bomb bay closure and (detail below) with optional flat closure. Dimensions in chart are based on standard closure.

# ElectraMount

ELECTRAMOUNT stores your video projector when you don't need it, lowers it when you do—automatically. On command, the ELECTRAMOUNT descends smoothly and precisely to exactly the proper position. After the show, flip the switch and the ELECTRAMOUNT retracts into the ceiling—keeping your projector safe from dust, smoke and tampering. Five models to fit practically any video projector; extra travel is available if a custom size is required. (Detailed dimensions available on the Web at [www.draperinc.com](http://www.draperinc.com).) The universal steel ceiling closure may be mounted with a recess to accept ceiling tile or with a smooth surface finished in off-white baked enamel. Lifting capacity is 300 lbs.



## Dimensions & Data—Scissor Lift SL & SLX Series

	Model S	Model E	Model K	Model J	Model G
Max. projector size (HWL)	13½" x 25½" x 27½"	13½" x 25½" x 35½"	19½" x 25½" x 27½"	17½" x 25½" x 39½"	17½" x 31½" x 44½"
Overall dimensions (HWL)	20" x 36½" x 43¼"	20" x 36½" x 51¼"	26" x 36½" x 43¼"	24" x 36½" x 55¼"	24" x 42½" x 60¼"
Min. clearance above ceiling	21"	21"	27"	25"	25"
Ceiling opening (+ <sup>5</sup> / <sub>16</sub> ", -0) (WL)	28½" x 31"	28½" x 39"	28½" x 31"	28½" x 43"	34½" x 48"
Ceiling closure (WL)	30⅞" x 32⅜"	30⅞" x 40⅞"	30⅞" x 32⅜"	30⅞" x 44⅞"	36⅞" x 49⅞"
Downward travel	12"	12"	18"	16"	16"
Net weight (lbs.)	190	215	215	245	260