

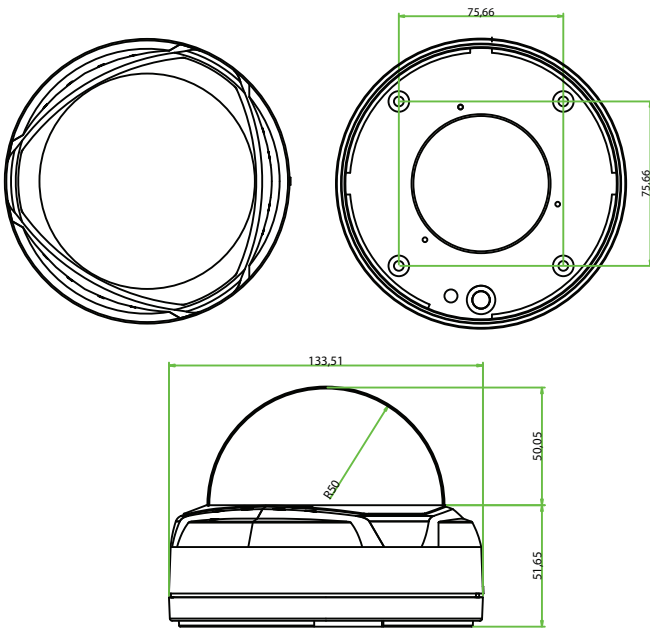
# PD-560-FVIR (NTSC) / PD-561-FVIR (PAL)



## TDN IR Plastic Dome Camera



### Dimensions (UNIT : mm)



### Wall Mount Bracket



[WM-120]

### Features

- 1/3" SONY Super HAD CCD Sensor
- 560 TV Lines
- Built-in Varifocal Lens (f=4~9mm)
- OSD (On Screen Display), DSS (Digital Slow Shutter)
- SDNR (Super Digital Noise Reduction)
- True Day / Night (IRC)
- 48 IR LEDs
- Auto White Balance
- AGC, BLC, Flickerless (On/Off)
- Min. Illumination 0.3 Lux(Color), 0.001 Lux(sens-up x128), 0 Lux(IR LED On)
- 3-Axis Bracket

### Specification

ITEM	PD-560-FVIR	PD-561-FVIR
Signal System	NTSC	PAL
Image Sensor	1/3" SONY Super HAD CCD	
Scanning Frequency(H)	15.734 KHz	15.625 KHz
Scanning Frequency(V)	59.94 Hz	50 Hz
Total Pixels Number	811(H) x 508(V) 410K	795(H) x 596(V) 470K
Effective Pixels Number	768(H) x 494(V) 380K	752(H) x 582(V) 440K
Resolution	560 TV lines	
Shutter Speed	1/60~1/120,000 sec.	1/50~1/120,000 sec.
Video Output	VBS 1.0Vp-p(75 Ω Composite)	
Sync. System	Internal	
Scanning System	2:1 Interlace	
S/N Ratio	More than 50dB (AGC Off)	
Min. Illumination	0.3 Lux(Color) / 0.001 Lux(sens-up x128) / 0 Lux(IR LED On)	
Lens	DC Iris Varifocal lens (4~9mm)	
IR LED and Sensor	IR LED 48EA (850nm, 30°), Sensor 1EA	
IR Visible Range	Max. 30m	
Day/Night Type	Auto / On (IR Cut-filter Removable)	
OSD	Built-in	
AGC, BLC	Low / Middle / High / Off Selectable	
SDNR	Low / Middle / High / Off Selectable	
Motion Detection	ON / OFF (4 Zone)	
Privacy Zone	ON / OFF (4 Zone)	
Mirror Function	ON / OFF	
White Balance	ATW / AWC / Manual (1800K ~ 10,500K)	
Housing material	Aluminium (Vandal-Resistant)	
Lens Rotation	3-Axis mechanism	
Mount Type	Surface	
Supplied Voltage	DC12V or DC12V/AC24V Dual Voltage optional	
Dimension	100(φ) x 102mm(H)	
Weight	Approx. 350g	

Specification are subject to change without any prior notice.