

# CD-100 / CD-300



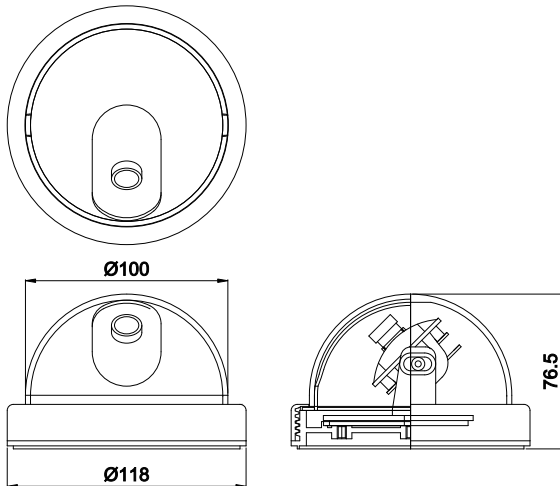
## Color Standard Dome Camera



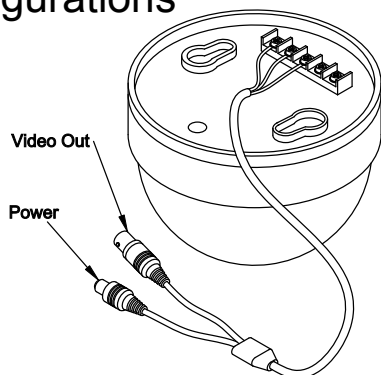
### Features

- 1/3" SONY Suoer HAD CCD Sensor
- DSP (digital Signal Processing)
- 380 or 480 TV Lines
- 3.6mm fixed lens
- AGC, BLC, ESC
- 12VDC
- Compact Size

### Dimensions (UNIT : mm)



### Configurations



### Specification

ITEM	CD-100	CD-300
Signal System	NTSC	
Image Sensor	1/3" SONY Super HAD CCD Sensor	
Effective Pixel	510H x 492V	768H x 494V
Resolution	380 TV lines	480 TV Lines
Shutter Speed	1/60~1/10,000 sec.	
Video Output	VBS 1.0Vp-p(75Ω Load)	
Sync. System	Internal	
Scanning System	2:1 Interlaced	
S/N Ratio	More than 48dB	
Min. Illumination	0.5 Lux	
AGC	On / Off Selectable	
ESC	On / Off Selectable	
BLC	On / Off Selectable	
Lens	3.6mm fixed lens	
Power Supply	DC 12V	
Operating Temp.	-10℃ ~ +50℃ □	
Dimension	100mm(W) x 76.5mm(L)	

### Available Models

NTSC	PAL
CD-100: Standard Res.	CD-101: Standard Res.
CD-300: High Res.	CD-301: High Res.

Specification are subject to change without any prior notice.