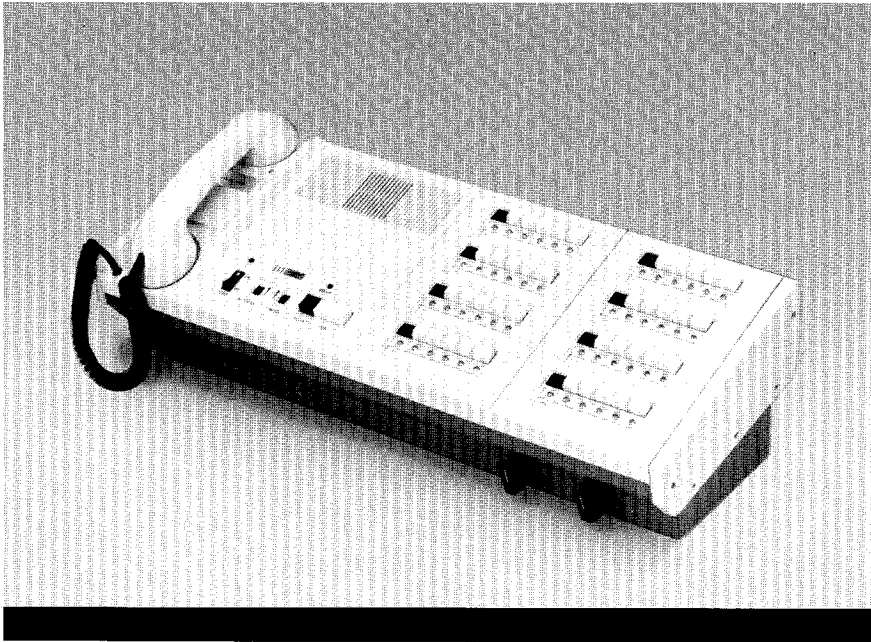


NBJ-20/40
NBJ-20B/40B

Night Switch-over Device for NEM/NEM-A Lamp Memory Intercom

**Basic System**

NEM-10, NEM-20, NEM-30, NEM-40
NEM-10A, NEM-20A, NEM-30A, NEM-40A
Lamp memory intercom systems.

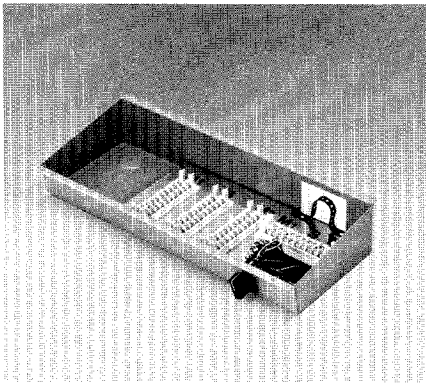
Description

An intercom system designed for
Private medical & dental clinics,
Nursing homes, schools, correction
institutions, etc.

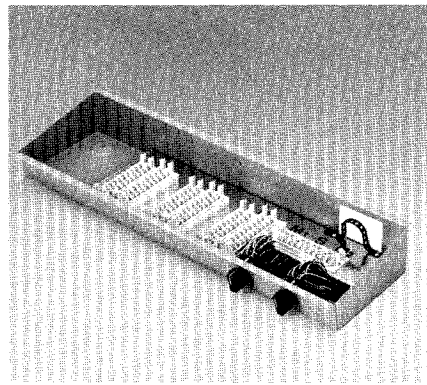
Models

- NBJ-20**, Night switch-over device
for NEM-10 & NEM-20
- NBJ-40**, -do- for NEM-30 & NEM-40
- NBJ-20B**, -do- for NEM-10A & NEM-20A.
- NBJ-40B**, -do- for NEM-30A & NEM-40A.

NEM master may be placed on NBJ night switch-over Device.



NBJ-20 for NEM-10/20
NBJ-20B for NEM-10A/20A



NBJ-40 for NEM-30/40
NBJ-40B for NEM-30A/40A

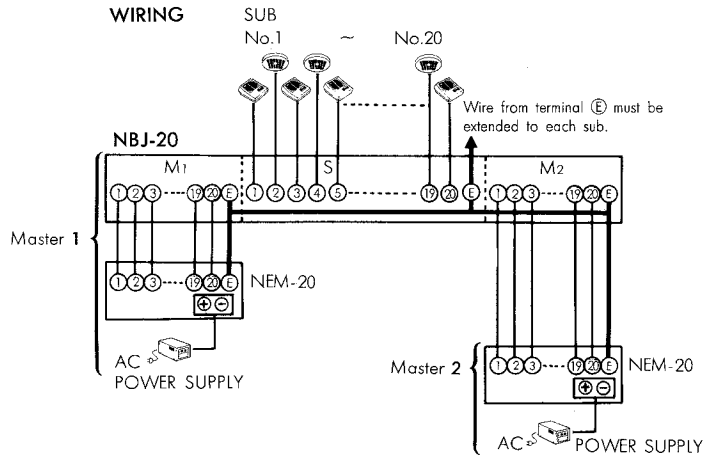
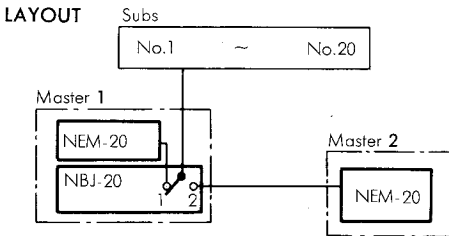
Features

The NBJ-/NBJ-B is a night switch-over device for standard NEM-/NEM-A system, in which all the subs' calls received by master No.1 during daytime, can be routed to a master No.2 during nighttime (Application Example No.1). It can also develop a system in which all the subs controlled by master Nos. 1 & 2, can be controlled by a third master (Application Example No.2)

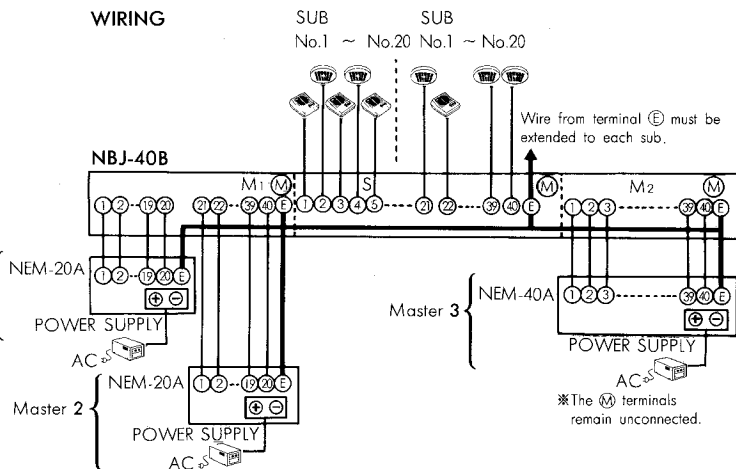
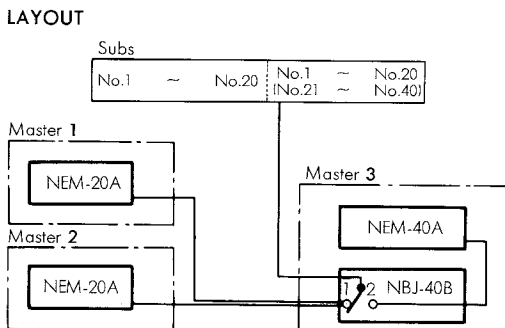
Specifications

MODEL	SWITCH-OVER CAPACITY	DIMENSIONS W × H × D	WEIGHT	USED FOR
NBJ-20	Max. 20 stations	318 × 84 × 197 (12-1/2" × 3-5/16" × 7-3/4")	1.8Kgs. (4.0 lbs.)	NEM-10/20, Press-to-talk type for table-top use only
NBJ-20B	Max. 20 stations	418 × 84 × 197 (16-7/16" × 3-5/16" × 7-3/4")	2.1Kgs. (4.6 lbs.)	NEM-10A/20A, Press-to-talk or Voice-activated for table-top use only
NBJ-40	Max. 40 stations	468 × 84 × 197 (18-7/16" × 3-5/16" × 7-3/4")	2.5Kgs. (5.5 lbs.)	NEM-30/40, Press-to-talk type for table-top use only
NBJ-40B	Max. 40 stations	568 × 84 × 197 (22-3/8" × 3-5/16" × 7-3/4")	3.0Kgs. (6.6 lbs.)	NEM-30A/40A, Press-to-talk or Voice-activated for table-top use only

APPLICATION EXAMPLE 1



APPLICATION EXAMPLE 2



Distributed by,

INTERCOM SYSTEMS
 **AIPHONE**
 HOME, BUSINESS, INDUSTRY