

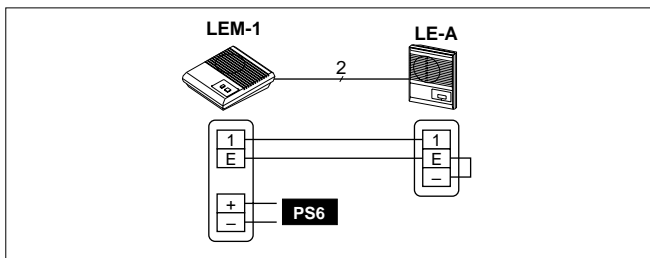
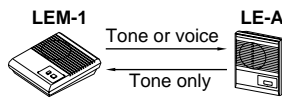
**MASTER 1** ▶ **SUB 3** LEM

- Open voice communication
- LE substations: either door station or room substation
- Voice volume control

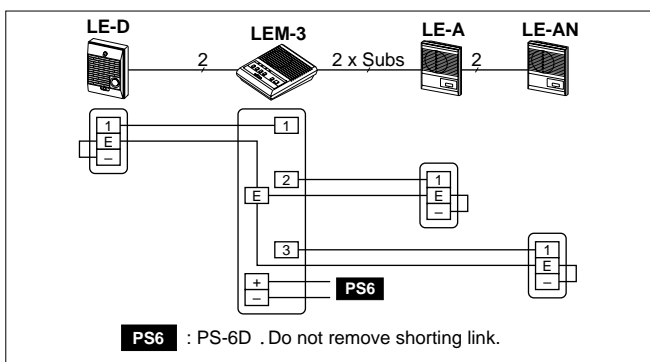
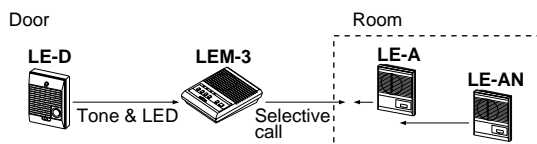


**Communication network & wiring**

**LEM-1**



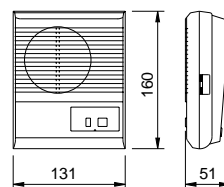
**LEM-3**



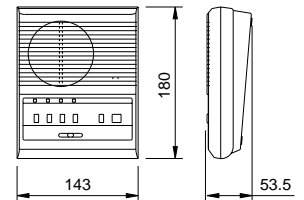
**System components**

- LEM-1:** 1-call master
- LEM-3:** 3-call master
- LE-D:** Sub station, weather-resistant, surface-mount
- LE-DA:** Flush-mount
- LE-A:** Sub station, desk/wall
- LE-AN:** Privacy
- 6V DC power supply: PS-6D**

**LEM-1, LE-A, LE-AN**



**LEM-3**



**Specifications (LEM)**

Power source	6V DC, 200mA	
Power supply	PS-6D	
Communication	Sub calls in w/tone and LED, 20 sec. Depress a selector and press or release TALK button. Sub called by tone or voice. Reply handsfree.	
Output	350mW output, adjustable	
Wiring	2 parallel wires, non-polarized per sub	
Distance	0.65mmø	0.8mmø
• LEM to sub	200m	480m